

Karona Fort street light is a special purpose outdoor luminaire, integral model, totally weather proof aesthetically contoured. Improved long lasting protection against ingress of dust / moisture / insects inside optical compartment.

Product Description

- Luminaire comprises of specially contoured spun aluminium body & die cast aluminum top cover featuring high strength and anti corrosion.
- Non yellowing, UV stabilised, Convex type clear acrylic diffuser.
- EPDM gasket.
- Luminaire integrated with 150W LED.
- Suitable for mounting to internally threaded pipe of designation M30.
- Cable entries for through-wiring of mains supply cable.
- Integral constant current power supply
- Suitable for operation on 240V, 50Hz single phase ac supply.
- Ordering guide : KL-4620-CCT (Colour Temperature)
- Available CCT : 3000K, 4000K, 5700K



Product Benefits

- High luminous efficiency at reduced wattage.
- Functionally versatile, strong and stable.
- Corrosion resistant and easy maintenance.
- Quick installation and low assembly costs.
- Sustainable LED technology offers durability and optimal light output with low power consumption

Product Benefits

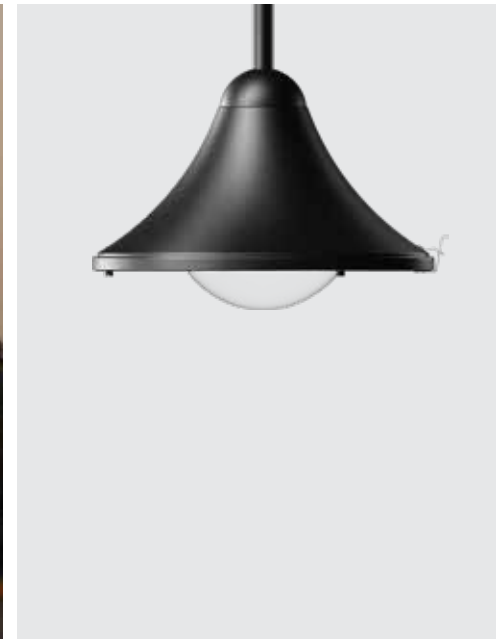
Street Lighting, Expressways, Private driveways, Residential Area Lighting, Courtyards, Public area lighting like parks & Squares

Available Finish

Pure polyester powder coated

- Graphite grey
- Anthracite grey
- Jet black





Technical Specifications

General

ID	: 4620
System Wattage	: 150W LED
Driver Integral	: Constant Current
Input Voltage	: 230 - 240Vac
Frequency	: 50-60Hz
Operating Voltage	: 100-277Vac
Operating Temperature	: -15°C~+50°C

Physical

Body	: Spun aluminium & Die-cast aluminium
Diffuser	: Convex type clear acrylic
Mounting	: Suitable for mounting to internally threaded pipe of designation : M30
Finish	: Powder coated Graphite grey / Jet black Anthracite grey

Light Source

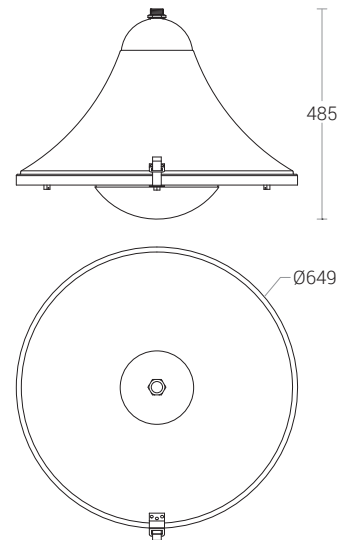
Light Source	: OSRAM / LUMILEDS
CRI (Ra)	: >70
LED Colour Temperature	: 3000K / 4000K / 5700K

Driver

Power Supply	: Integral
Power Factor	: >0.95
THD	: <10%
Surge Protection	: 6KV
Efficiency	: >85%

Optical Performance

Light Distribution	: Type IV
--------------------	-----------



Karona Fort street light is a special purpose outdoor luminaire, integral model, totally weather proof aesthetically contoured. Improved long lasting protection against ingress of dust / moisture / insects inside optical compartment.

Product Description

- Luminaire comprises of specially contoured spun aluminium body & die cast aluminum top cover featuring high strength and anti corrosion.
- Non yellowing, UV stabilised, Convex type clear acrylic diffuser.
- EPDM gasket.
- Luminaire integrated with 100W LED.
- Suitable for mounting to internally threaded pipe of designation M30.
- Cable entries for through-wiring of mains supply cable.
- Integral constant current power supply
- Suitable for operation on 240V, 50Hz single phase ac supply.
- Ordering guide : KL-6800-CCT (Colour Temperature)
- Available CCT : 3000K, 4000K, 5700K



Product Benefits

- High luminous efficiency at reduced wattage.
- Functionally versatile, strong and stable.
- Corrosion resistant and easy maintenance.
- Quick installation and low assembly costs.
- Sustainable LED technology offers durability and optimal light output with low power consumption

Product Benefits

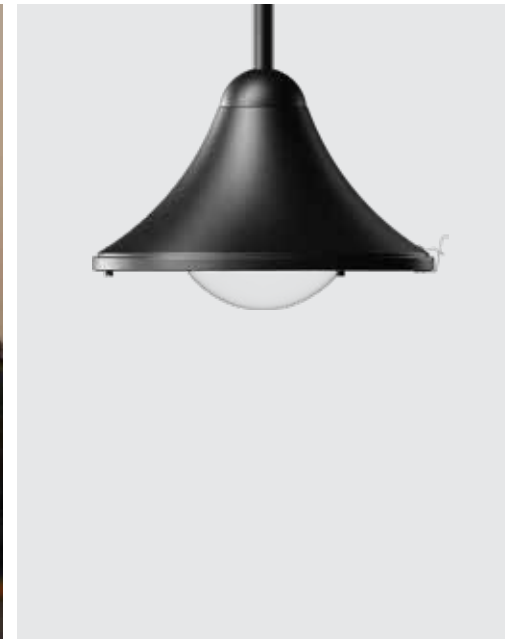
Street Lighting, Expressways, Private driveways, Residential Area Lighting, Courtyards, Public area lighting like parks & Squares

Available Finish

Pure polyester powder coated

- Graphite grey
- Anthracite grey
- Jet black





Technical Specifications

General

ID	: 6800
System Wattage	: 100W LED
Driver Integral	: Constant Current
Input Voltage	: 230 - 240Vac
Frequency	: 50-60Hz
Operating Voltage	: 100-277Vac
Operating Temperature	: -15°C~+50°C

Physical

Body	: Spun aluminium & Die-cast aluminium
Diffuser	: Convex type clear acrylic
Mounting	: Suitable for mounting to internally threaded pipe of designation : M30
Finish	: Powder coated Graphite grey / Jet black Anthracite grey

Light Source

Light Source	: OSRAM / LUMILEDS
CRI (Ra)	: >70
LED Colour Temperature	: 3000K / 4000K / 5700K

Driver

Power Supply	: Integral
Power Factor	: >0.95
THD	: <10%
Surge Protection	: 6KV
Efficiency	: >88%

Optical Performance

Light Distribution	: Type IV
--------------------	-----------

